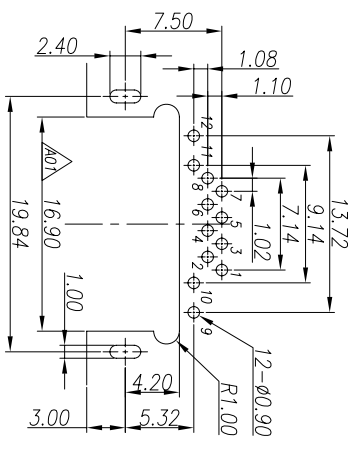
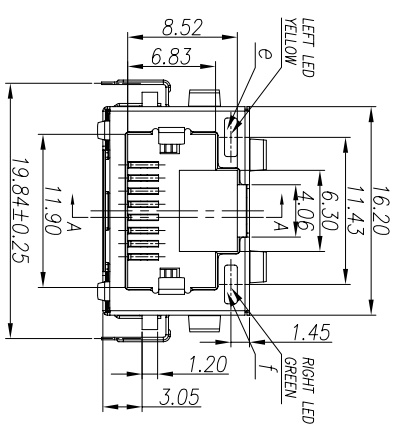
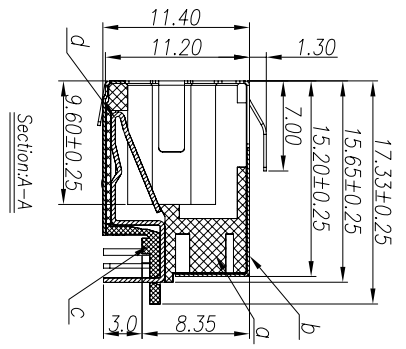
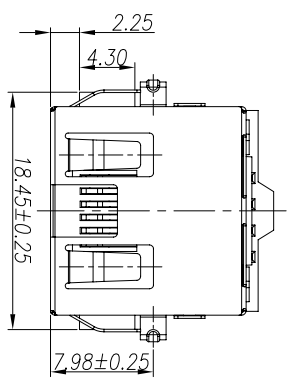


CATEGORY	DESCRIPTION	P/N #
CONNECTOR	Modular Jack, 8P8C, R/A, With LED	MJ88-XX11-RVSL2-X

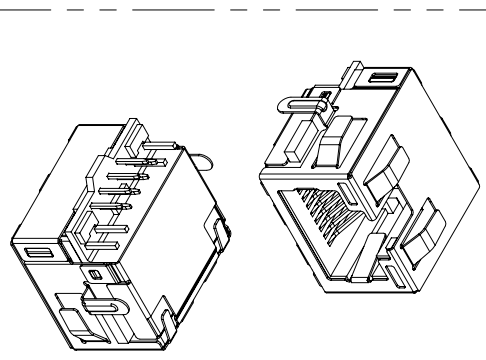
料号由原 MJ88-BX11-RVSL2-X
变更为 MJ88-XX11-RVSL2-X

REV.	ECN NO	DESCRIPTION	REVISED	DATE
A01		修改PCB尺寸	XSY	2016.06.28
A02		增加包装选项	XFY	2017.08.28
A03		塑胶主体增加颜色选项	XSY	2017.12.18



RECOMMENDED PCB LAYOUT (TOP VIEW)
(ALL TOLERANCES ARE ±0.05)

- SPECIFICATION
- CURRENT RATING: 1.5AMPS
 - VOLTAGE RATING: 125V AC
 - INSULATION RESISTANCE: 500MΩ MIN.
 - WITHSTAND VOLTAGE:
 - AC1000V RMS 50Hz or 60Hz MIN.
 - CONTACT RESISTANCE:40mΩ MAX.
 - DURABILITY: 750 MATING CYCLES
 - OPERATING TEMPERATURE: -40°C~+80°C



3D VIEW

LED COLOR	
MODE	COLOR
LED-R 10(+) 9(-)	GREEN
LED-L 12(+) 11(-)	YELLOW

NO.	PART NAME	Q'TY	MATERIAL	PLATING & COLOR	Remark
f	LED-R	1	GREEN		
e	LED-L	1	YELLOW		
d	Terminal	8	PHOSPHOR BRONZE T=0.35mm	Au Plating	
c	Cover	1	THERMOPLASTIC UL94V-0	SEE TABLE	
b	Shell	1	BRASS T=0.20mm	NI	
a	Housing	1	THERMOPLASTIC UL94V-0	SEE TABLE	

UNLESS OTHERWISE SPECIFIED TOLERANCES

DECIMALS: ANGLES:

X :±0.5 X :±2°

XX :±0.3 XX :±1°

XXX :±0.2

東莞市合陵電子有限公司
DongGuan Heling Electronic Co.,LTD

Connector

SCALE:1/1 UNIT: mm DWG.NO: WI-061-110

PAGE: 10F1 REV:A03

APPROVED BY: XSY CHECKED BY: XSY PREPARED BY: XSY

CUSTOMER COPY

TABLE	
X	Terminal Plating
B	LCP BLACK
U	PA9T BLUE(RAL 5002)
1	PA9T BLACK

TABLE	
X	Terminal Plating
0	Au 1u" Plating
1	Au 3u" Plating
2	Au 6u" Plating
3	Au 15u" Plating
4	Au 30u" Plating
5	Au 50u" Plating

TABLE	
X	包装方式
C	卷带包装
P	吸塑盒包装

MJ88-XX11-RVSL2-X