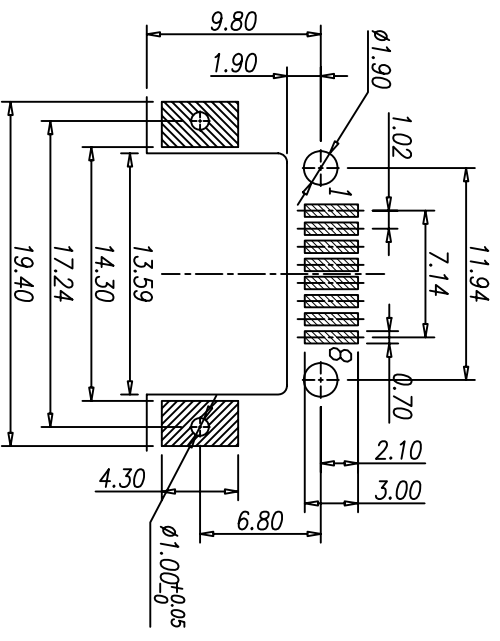
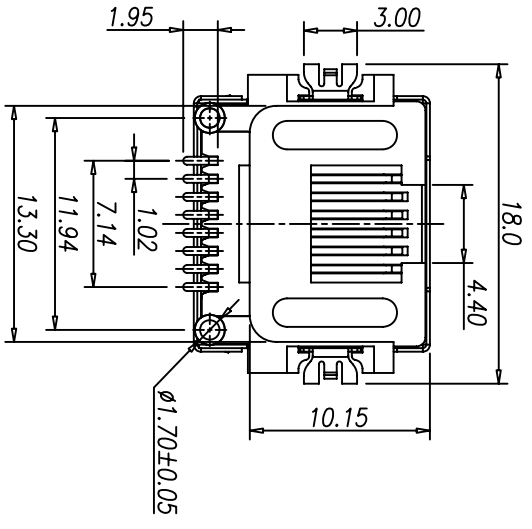
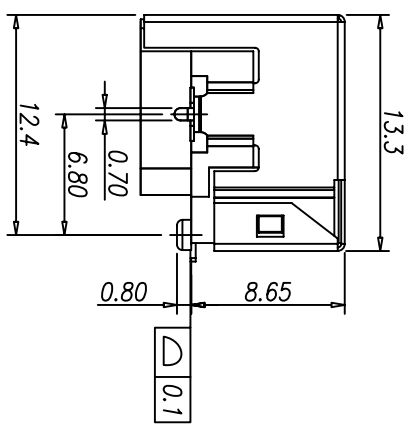
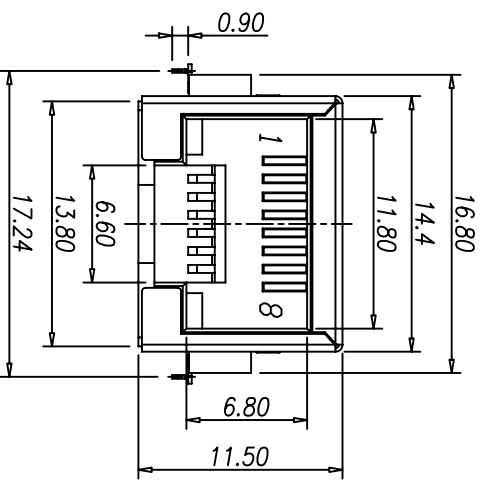


CATEGORY	DESCRIPTION	P/N #
CONNECTOR	Modular Jack, 8P8C, 1X1PORT	MJ88-XX11-JRVS1-X

料号由原 MJ88-XX11-JRVS1
变更为 MJ88-XX11-JRVS1-X

REV.	ECN NO	DESCRIPTION	REVISED	DATE
A02		新增电键规格	XSY	2015.07.09
A03		新增塑胶颜色规格	XSY	2015.08.03
A04		新增包装选项	XSY	2015.08.03



Recommend PCB Layout
(Lack Top View)
Tolerance: ±0.05mm

- SPECIFICATIONS:
1. Voltage: 150V AC RMS
 2. Current Rating: 1.5A
 3. Contact Resistance: 40m Ω MAX.
 4. Insulation Resistance: 500MΩ MIN.
 5. Dielectric Withstand Voltage :1000V AC
 6. Operate Temperature: -40°C~80°C
 7. Durability: 750 Mating Cycles MIN.

MJ88-XX11-JRVS1-X

Table2	Table3
X Terminal Plating	X 包装方式
0 Au 1u" Plating	C 卷带包装
1 Au 3u" Plating	P 吸塑盒包装
2 Au 6u" Plating	
3 Au 15u" Plating	
4 Au 30u" Plating	
5 Au 50u" Plating	

Table1	Table3
X Color	housing Material
B Black	LCP UL94V-0
0 Orange(151C)	PA9T UL94V-0
Y Yellow(130C)	PA9T UL94V-0

c	Shielding	1	Brass	Ni Plating	
b	Terminal	8	Phosphor Bronze	See Table2	
a	Housing	1	See Table1	See Table1	
NO.	PART NAME	Q'TY	MATERIAL	PLATING & COLOR	Remark

UNLESS OTHERWISE SPECIFIED TOLERANCES		DECIMALS:		ANGLES:	
		X : ±0.5		X : ±2°	
		X.X : ±0.3		X.X : ±1°	
		X.XX : ±0.2			

东莞市合陵电子有限公司
 Dongguan Heling Electronic Co.,LTD
 Connector

SCALE: 1/1	UNIT: mm	DWG.NO:
SIZE: A3	PAGE: 1 OF 1	REV: A04
APPROVED BY	CHECKED BY	PREPARED BY
DICK	XSY	XSY

CUSTOMER COPY