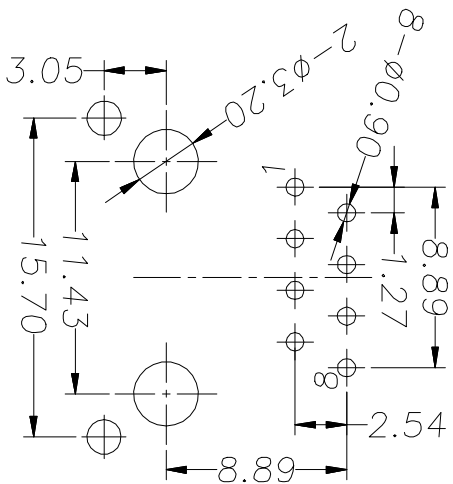
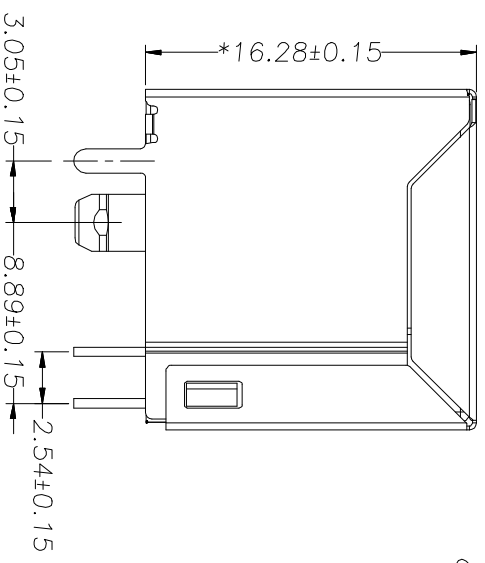
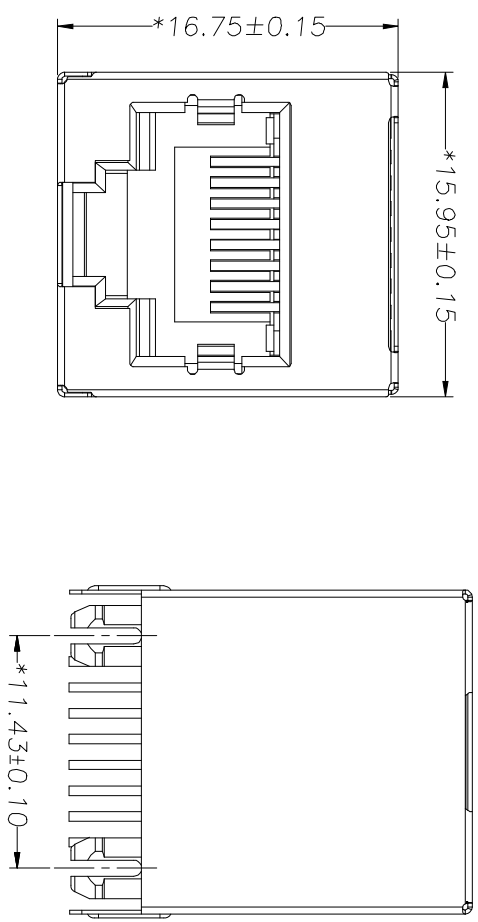


CATEGORY	DESCRIPTION	P/N #
CONNECTOR	Modular Jack, 8P8C, 1x1PORT	MJ522488-XX11-BPF1



REV.	ECN NO	DESCRIPTION	REVISED	DATE
A01		New Release	Kelly	2010.9.16

NOTES:

- MATERIAL:
- 1.HOUSING MATERIAL :GLASS FILLED POLYESTER(UL94V-0).
  - 2.CONTACT MATERIAL :PHOSPHOR BRONZE ∅0.46mm (C5100).
  - 3.PLATING :GOLD PLATING OVER NICKEL.

- ELECTRICAL:
- 1.VOLTAGE RATING :125 VAC RMS.
  - 2.CURRENT RATING :1.5 AMP.
  - 3.CONTACT RESISTANCE :50 MILLIOHMS MAX.
  - 4.INSULATION RESISTANCE :500 MEGOHMS MIN @ 500V DC.
  - 5.DIELECTRIC WITHSTANDING RESISTANCE :1000V AC RMS 50Hz. 1MIN.

- MECHANICAL:
- 1.DURRABILITY :750 CYCLES MIN.
  - 2.PCB RETENTION PRE-SOLDER :1 LB MIN.

- ENVIRONMENTAL:
- 1.STORAGE : -40°C TO +85°C.
  2. OPERATION : 0°C TO 70°C.
- MATES WITH MODULAR PLUG CONFORMING TO

Part No.:

MJ522488-XX11-BPF1

Table 1

X	HOSUNG COLOR
B	BLACK
Y	YELLOW
U	BLUE

Table 2

X	Terminal Plating
0	Gold Flash
1	Au 3u" Plating
2	Au 6u" Plating
3	Au 15u" Plating
4	Au 30u" Plating
5	Au 50u" Plating

**Product Drawing**  
Dongguan Hejing Electronic Co.,LTD

UNLESS OTHERWISE SPECIFIED TOLERANCES	SCALE:1/1 UNIT: mm	DWG.NO:	WI-061-751
DECIMALS: X .±0.5 X.X .±0.3 X.XX .±0.2	ANGLES: X .±2° X.X .±1°	APPROVED BY	Tony
		CHECKED BY	Bill
		PREPARED BY	Kelly
<b>CUSTOMER COPY</b>			